

UBIQUITY

40 X 50MM METAL TILE

karim

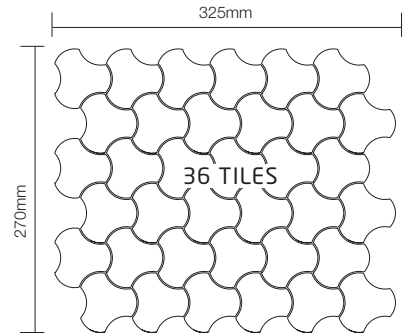
TILE SPECIFICATIONS

WIDTH	40mm
LENGTH	50mm
THICKNESS	1.6mm solid metal
GROUT LINE	1.32mm



- Designed by Karim Rashid exclusively for ALLOY. One of eight innovative designs that play with the idea of pattern, grid, and repetition. A contemporary statement for interior and exterior applications.
- Designed and manufactured from solid, high quality metal to create an unsurpassed metal tile finish to last a lifetime. Will not dent, crack or de-laminate.
- Face mounted for ease of installation, to protect the metal tile face and keep tiles in formation. The ALLOY developed system includes 2 layers of protective adhesive tape and film on the tile face. No backing mesh is used. See the [ALLOY Installation Guide](#) for details.
- Designed and made in Australia for consistent high quality.
- Diamond cutting discs are supplied which allow for very quick, low-burr cutting where necessary eg, edges, GPO's.
- Finishing pieces available to ensure the perfect installation where a full tile will not fit. ALLOY tiles are made from solid metal and have a specially chamfered edge.
- Grout - not required unless installed in a wet area. It is **essential** that an un-sanded, non-grit grout is used, we recommend Laticrete Smooth/1600 series.
- Adhesive - we recommend ALLOY One Pack Mastic (AOPM), available in black or white, specifically developed for ALLOY Tiles.
- Tile samples and AOPM can be ordered through alloydesign.com.au
- As a specialised metal tile, we recommend ALLOY tiles are installed by a DIY expert or professional tiler.

TILE SHEET



13.29 tile sheets per m²

FINISHING PIECES

Available on request.

*NOT TO SCALE.

SOLID METAL MATERIALS + FINISHES

TYPE	CODE	\$AUD* PER SHEET	\$AUD* PER SQ/M
 Brass	BM-UBIQUITY	\$98	\$1,303
 Copper	CM-UBIQUITY	\$99	\$1,317
 Raw Steel	RS-UBIQUITY	\$59	\$785
 Stainless Steel Brushed	SS#4-UBIQUITY	\$67	\$891
 Stainless Steel Mirror Polished	SS#8-UBIQUITY	\$89	\$1,184
 Stainless Steel Marine Grade Brushed	316SS#4-UBIQUITY	\$83	\$1,104
 Stainless Steel Marine Grade Mirror	316SS#8-UBIQUITY	\$97	\$1,290
 Stainless Steel Matte	SS2B-UBIQUITY	\$66	\$878
 Stainless Steel Kaos Random Brushed	KAOS-UBIQUITY	\$83	\$1,104
 Titanium Gold Brushed	TIGB-UBIQUITY	\$83	\$1,104
 Titanium Gold Mirror Polished	TIGM-UBIQUITY	\$83	\$1,104
 Titanium Amber Brushed	TiAB-UBIQUITY	\$83	\$1,104
 Titanium Amber Mirror Polished	TiAM-UBIQUITY	\$83	\$1,104
 Titanium Smoke Mirror Polished	TiSM-UBIQUITY	\$83	\$1,104
 Titanium Smoke Brushed	TiSB-UBIQUITY	\$83	\$1,104

Images are indicative of colour only.

*Pricing is ex GST and subject to change.

Contact us to discuss your project requirements.

T: 02 9565 2422 E: info@alloydesign.com.au

www.alloydesign.com.au

Product Substitution Warning: ALLOY tile products have specific design characteristics to ensure an immaculate finish and product longevity, they have been slip tested and are backed by ALLOY service and support. Substituting ALLOY tiles for inferior products may compromise installation finish and project performance.

© Alloy Design Pty Ltd. ALLOY tile designs are subject to Copyright. Vers 02/19